

SELF-CLOSE STAY GS-HDS-10S For Use in Pairs



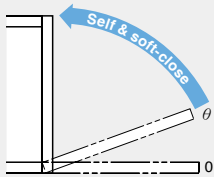
[Applicable Range]

- Choose from 4 types according to maximum door moment.
- Maximum door moment (N · m) = Door weight (kg) × 9.80665 × Distance from rotation centre to door centre of gravity (m)

Maximum door moment N · m	Model	Qty
5.9~ 9.3	K	2 pcs
9.3~12.7	M	
10.8~15.7	H	
13.7~17.6	S	

● Self & Soft-close

Self-closes after a small impulse.



Model	Self & Soft-close Starting Angle θ
K	5° ~35°
M	5° ~20°
H	5° ~20°
S	5° ~15°

Opening Direction	Description	Non-handed	Model	Maximum Door Moment
 Downward-opening	Self-close With Catch For Use in Pairs	-	K	5.9~9.3 N · m/2 pcs (60~95 kgf · cm/2 pcs)
			M	9.3~12.7 N · m/2 pcs (95~130 kgf · cm/2 pcs)
			H	10.8~15.7 N · m/2 pcs (110~160 kgf · cm/2 pcs)
			S	13.7~17.6 N · m/2 pcs (140~180 kgf · cm/2 pcs)

- For downward opening flaps.
- Self-closes after a small impulse.
- Holds door in fully closed or fully opened position.
- For door hinge, piano/butt hinge or 3-way adjustable drop hinge SDH-001 is suitable.

[Specifications]

- Operating temperature: 0°C~40°C

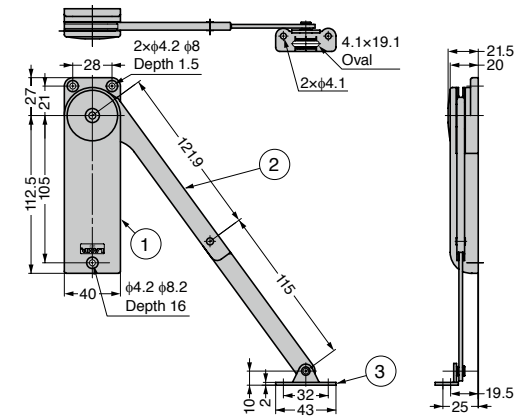
[Remarks]

- Be sure to read the "Cautions"
- Used in pairs.
- When placing objects or working on the surface of opened door, install a brace or reinforcement material to support the door in addition to the stay.
- Do not roughly open and close the door.

[Parts Included]

- Mounting plate
- Binding head tapping screw 3.5x 15

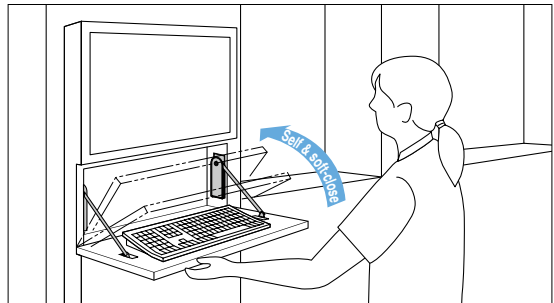
Video Link



Right-handed type shown.

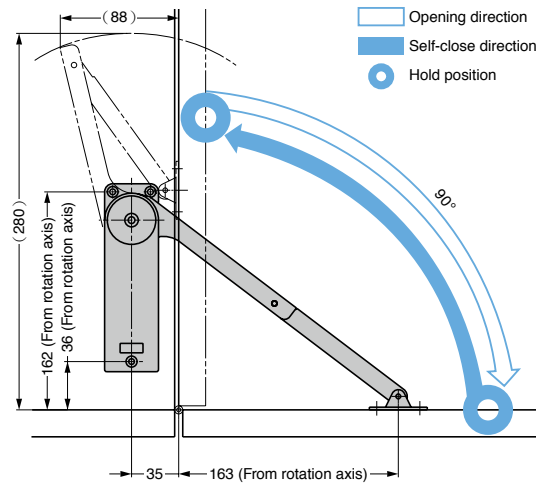
No.	Part Name	Material	Finish
①	Body	ABS	Black, White
②	Arm	Steel (SPCC)	Nickel
③	Mounting Plate		

[Application Example]

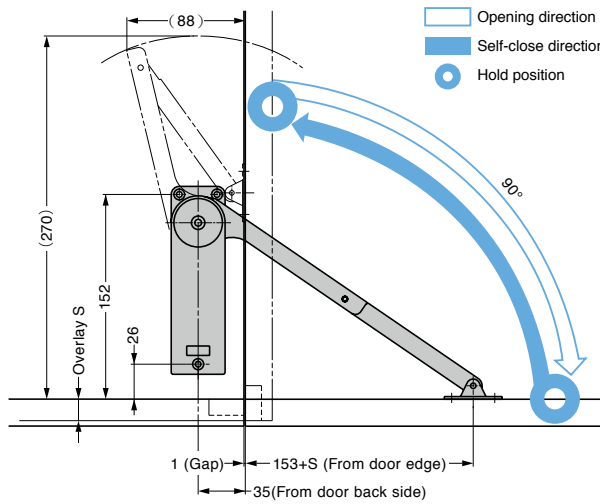


[Installation] Right side installation for downward-opening 90°. Left side installation is symmetrical.

With single knuckle hinge



With drop hinge



Item Name	Type	Material	Finish/Colour	Model	Maximum Door Moment N·m/2 pcs	Maximum Door Moment kgf·cm/2 pcs	Weight (g)
GS-HDS-10S-KL-BL	Left-handed	ABS/Steel	Nickel/Black	K	5.9~9.3	60~95	292
GS-HDS-10S-KL-WT	Left-handed		Nickel/White				292
GS-HDS-10S-KR-BL	Right-handed		Nickel/Black	M	9.3~12.7	95~130	292
GS-HDS-10S-KR-WT	Right-handed		Nickel/White				292
GS-HDS-10S-ML-BL	Left-handed		Nickel/Black	H	10.8~15.7	110~160	301
GS-HDS-10S-ML-WT	Left-handed		Nickel/White				301
GS-HDS-10S-MR-BL	Right-handed		Nickel/Black	S	13.7~17.6	140~180	301
GS-HDS-10S-MR-WT	Right-handed		Nickel/White				301
GS-HDS-10S-HL-BL	Left-handed		Nickel/Black	H	10.8~15.7	110~160	309
GS-HDS-10S-HL-WT	Left-handed		Nickel/White				309
GS-HDS-10S-HR-BL	Right-handed		Nickel/Black	S	13.7~17.6	140~180	309
GS-HDS-10S-HR-WT	Right-handed		Nickel/White				309
GS-HDS-10S-SL-BL	Left-handed		Nickel/Black	S	13.7~17.6	140~180	312
GS-HDS-10S-SL-WT	Left-handed		Nickel/White				312
GS-HDS-10S-SR-BL	Right-handed		Nickel/Black	S	13.7~17.6	140~180	312
GS-HDS-10S-SR-WT	Right-handed		Nickel/White				312